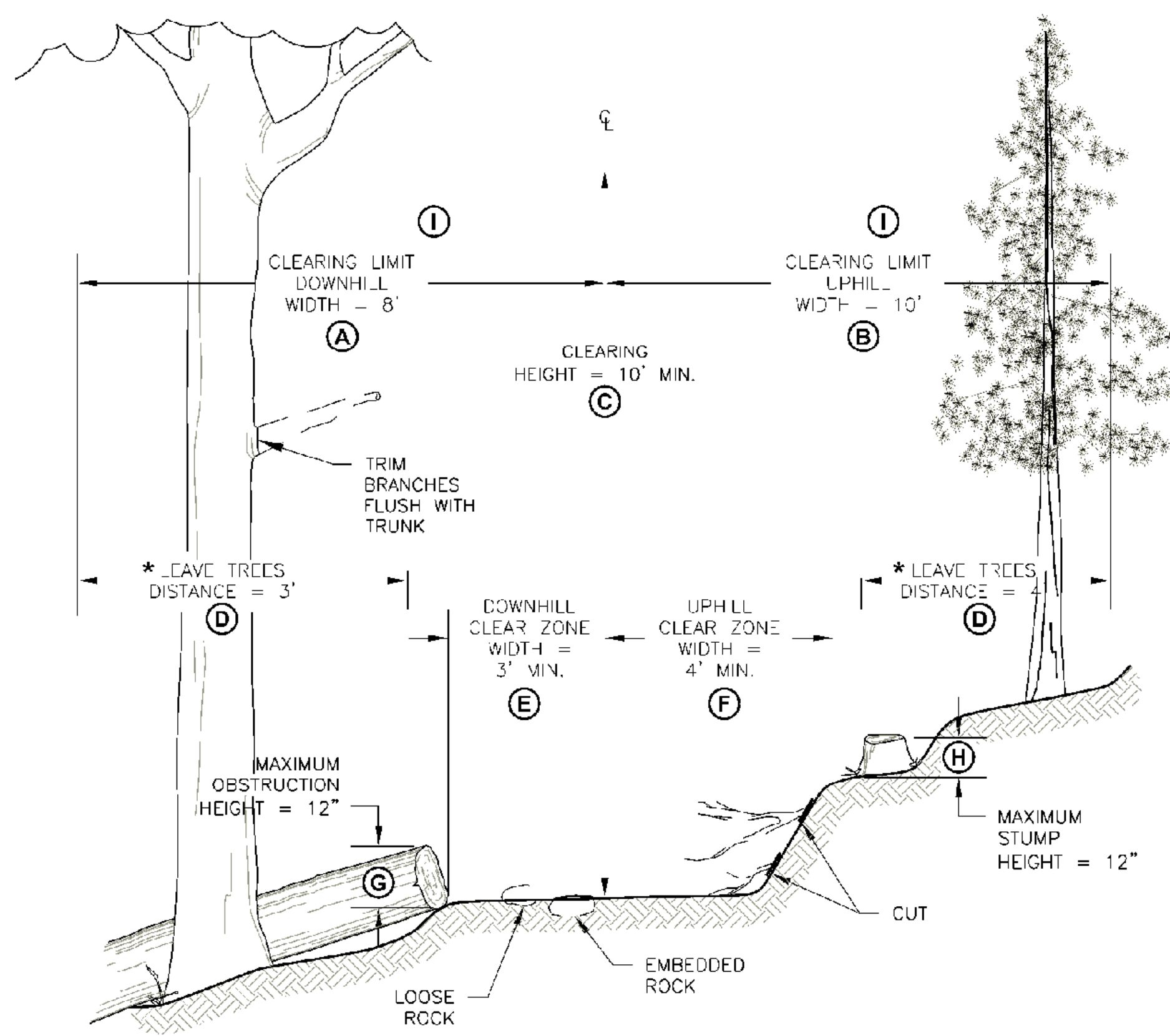
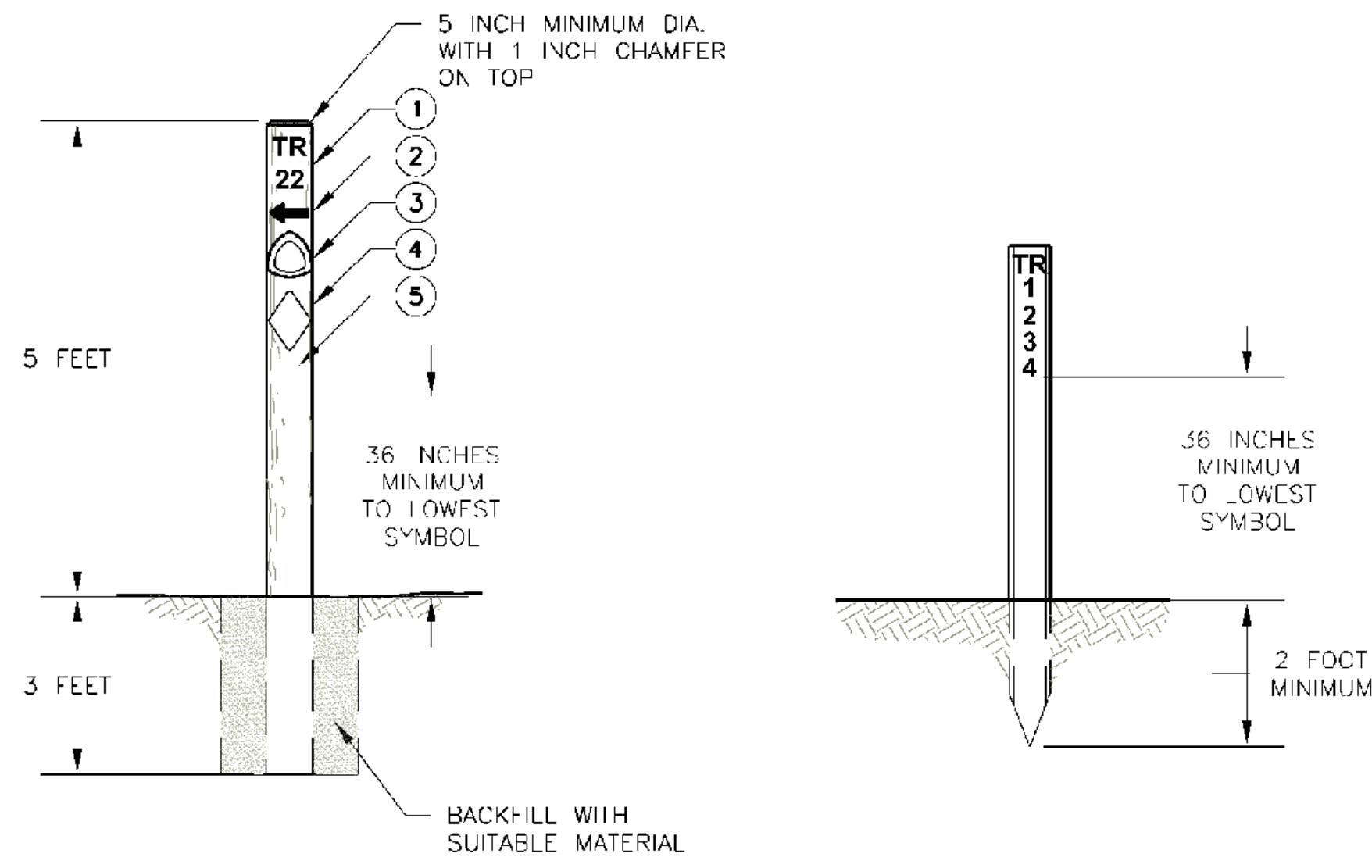


Pleasant Grove City Proposed Multi-Use Trail System

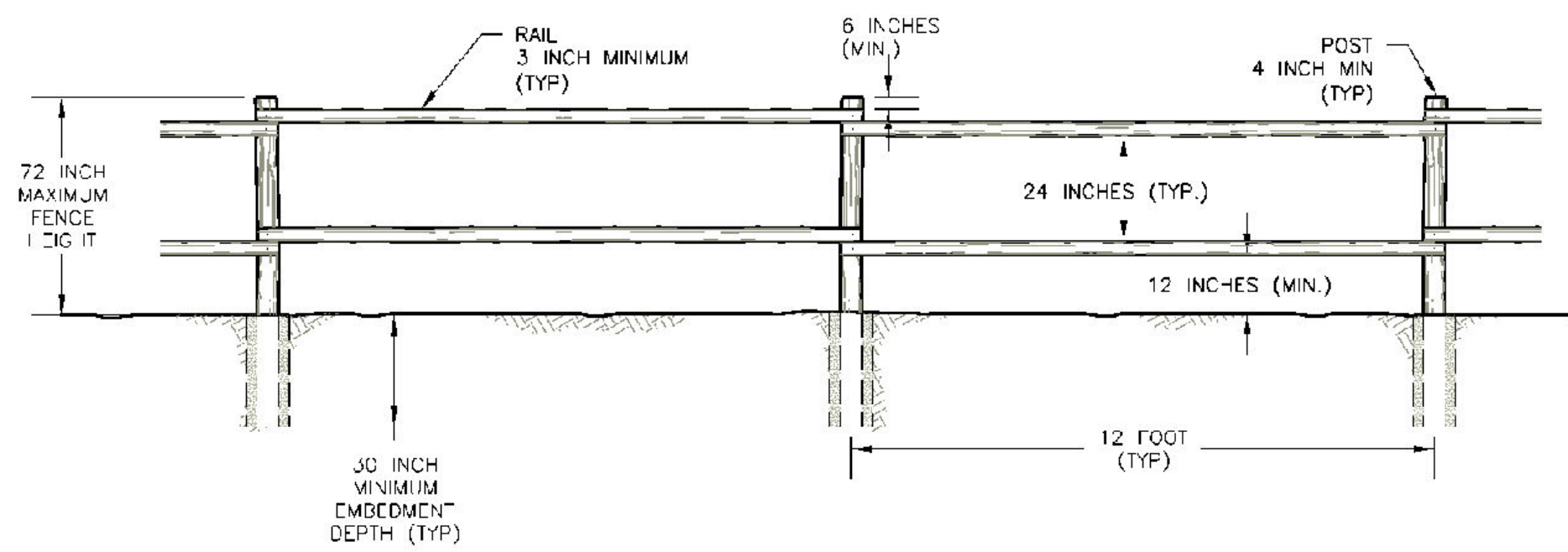
November 2015



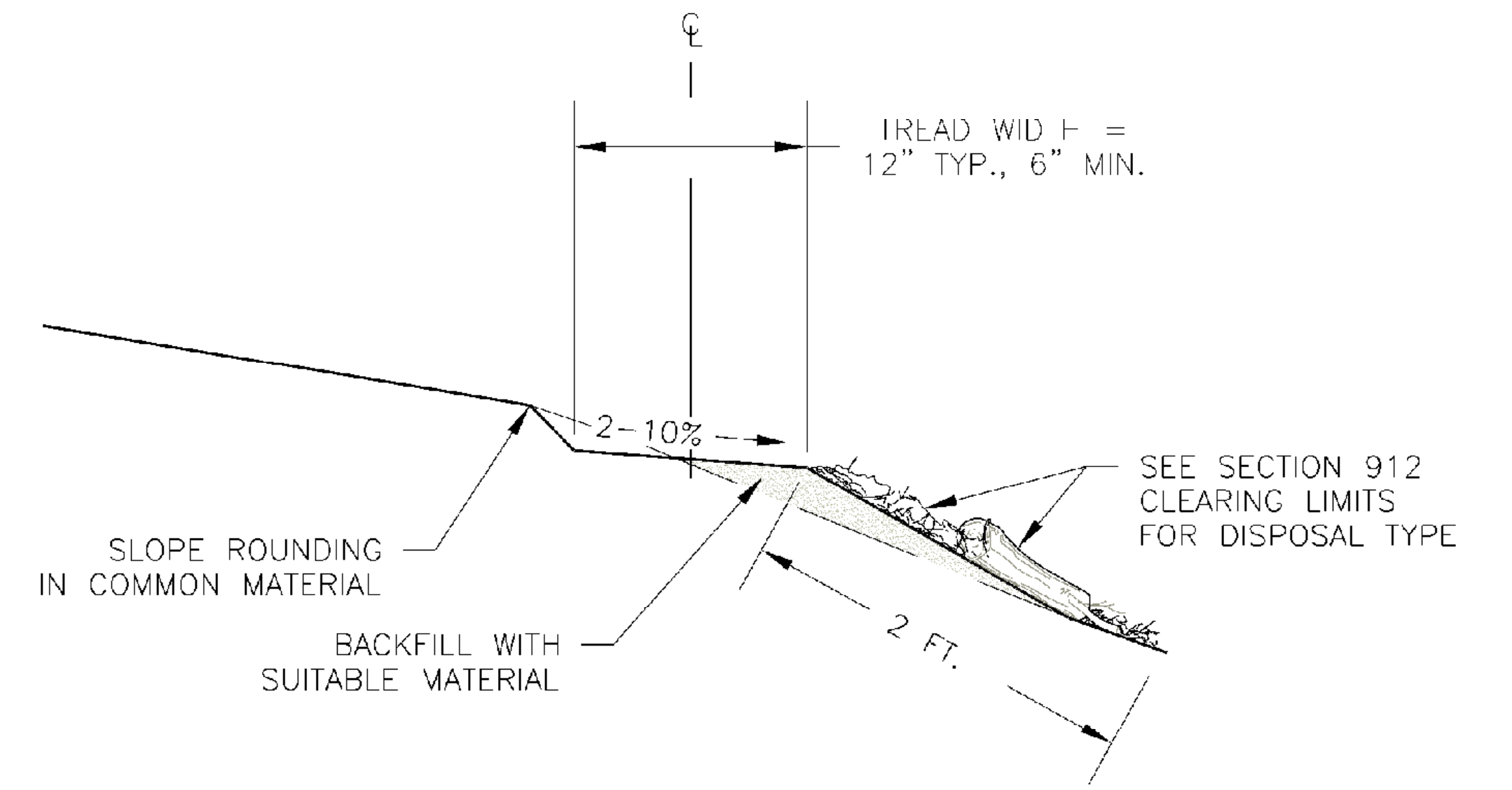
EQUESTRIAN TRAIL CLEARING



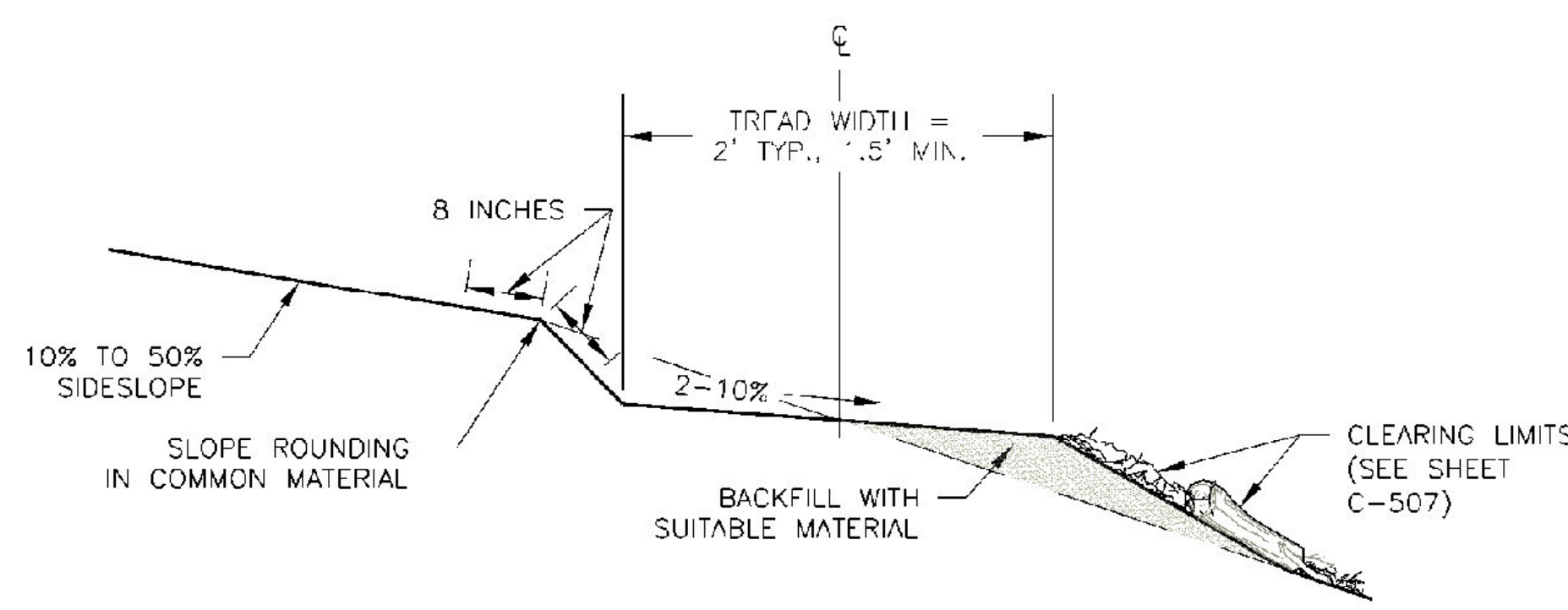
TRAIL MARKERS



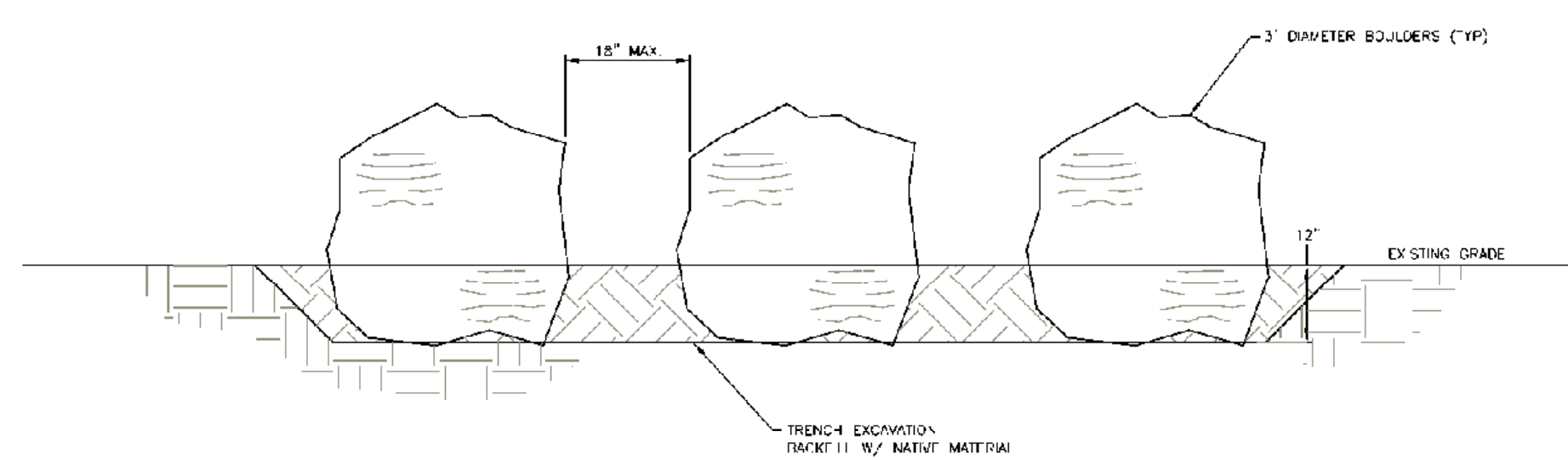
POST RAIL FENCE



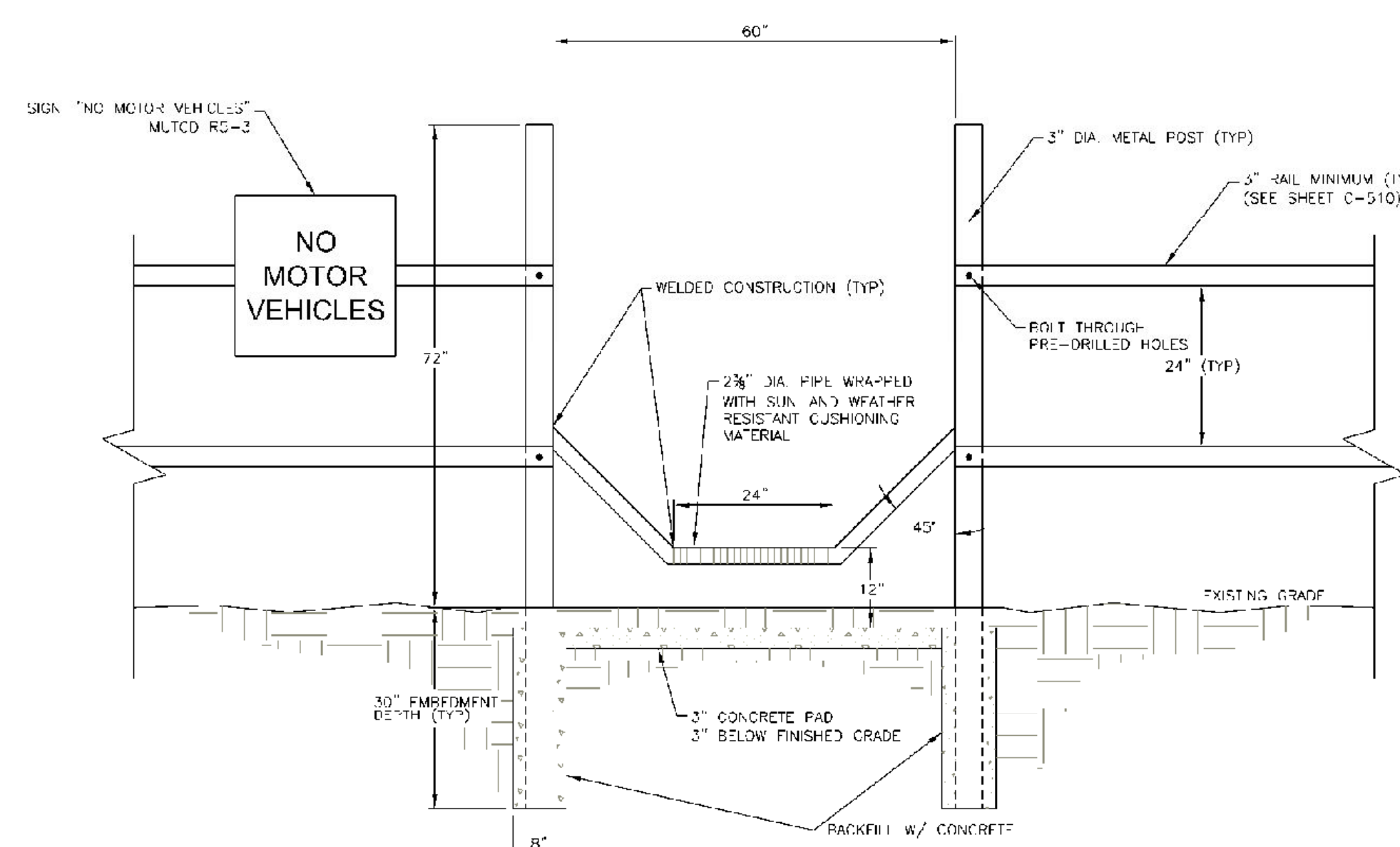
SINGLE-TRACK SECTION



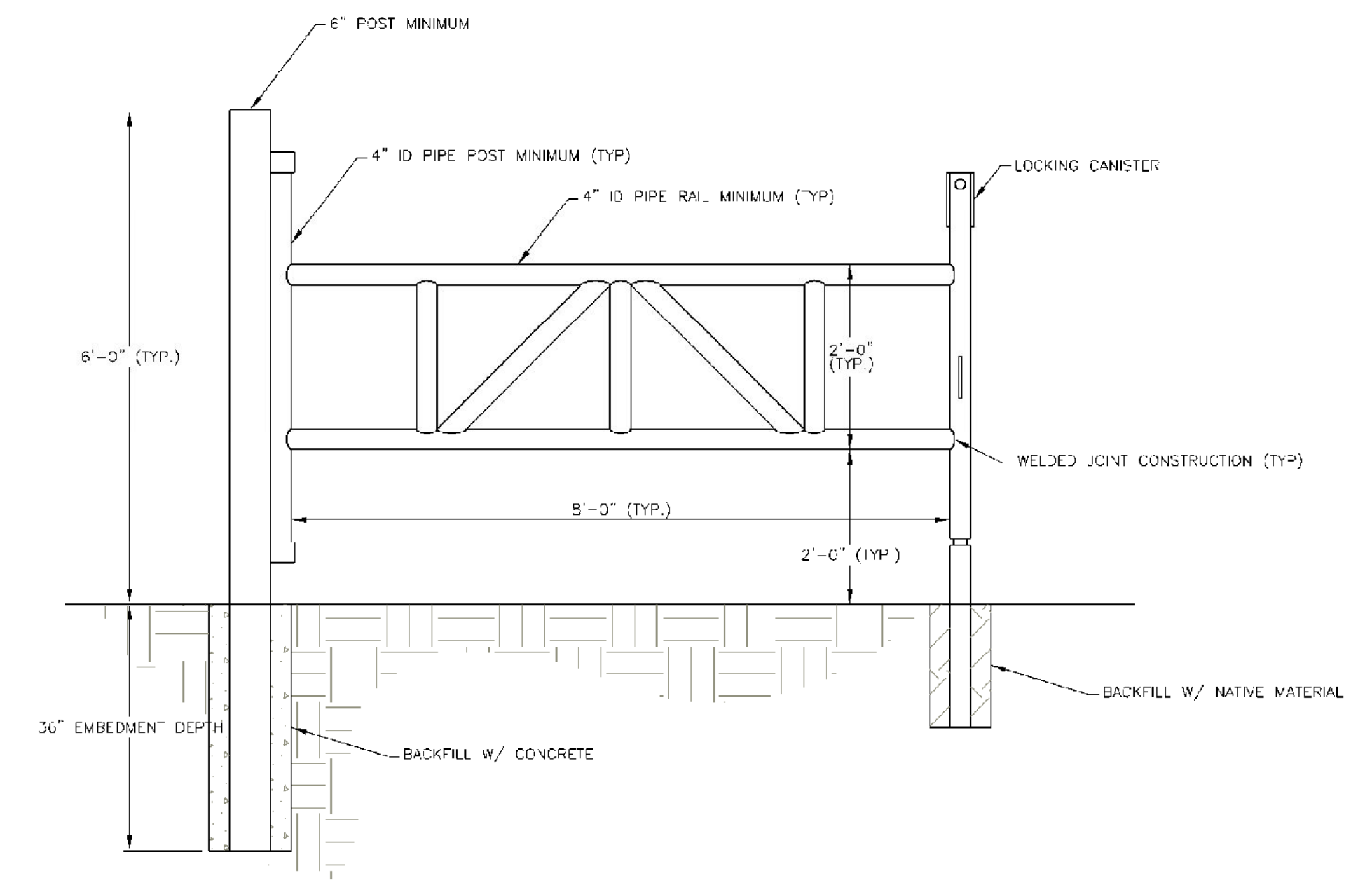
EQUESTRIAN SECTION



STONE BARRIER



STEP-OVER GATE



VEHICULAR ACCESS GATE